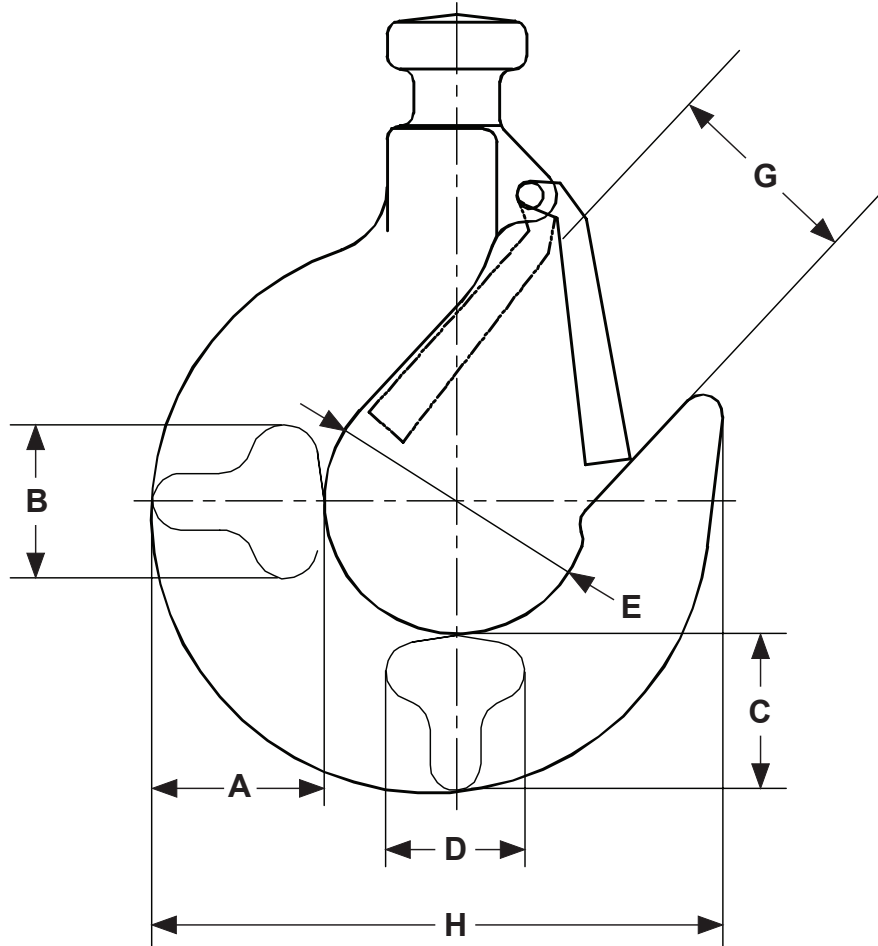


# CHAIN HOIST HOOKS

## DATA SHEET



MODEL NUMBERS	CH050	CH100	CH150	CH200	CH300	CH500	CH750	CH1000	CH1500	CH2000
<b>CAPACITY (POUNDS)</b>	1,100	2,200	3,300	4,400	6,600	11,000	16,500	22,000	33,000	44,000
<b>DIMENSIONS (INCHES)</b>										
<b>A</b>	0.9	1.1	1.2	1.3	1.9	2.2	2.4	2.6	3.9	4.4
<b>B</b>	0.7	0.8	1.0	0.9	1.1	1.5	1.9	2.1	2.6	3.2
<b>C</b>	0.8	0.9	1.1	1.2	1.7	1.9	2.2	2.2	3.4	4.7
<b>D</b>	0.7	0.8	1.0	0.9	1.1	1.5	1.9	2.1	2.6	3.2
<b>E</b>	1.5	1.6	1.8	1.4	1.7	2.4	2.6	3.1	4.4	4.8
<b>G</b>	1.1	1.2	1.3	1.5	1.7	1.8	1.8	2.4	3.1	3.5
<b>H</b>	3.2	3.4	3.8	4.3	5.2	5.9	7.1	7.7	11.0	8.7