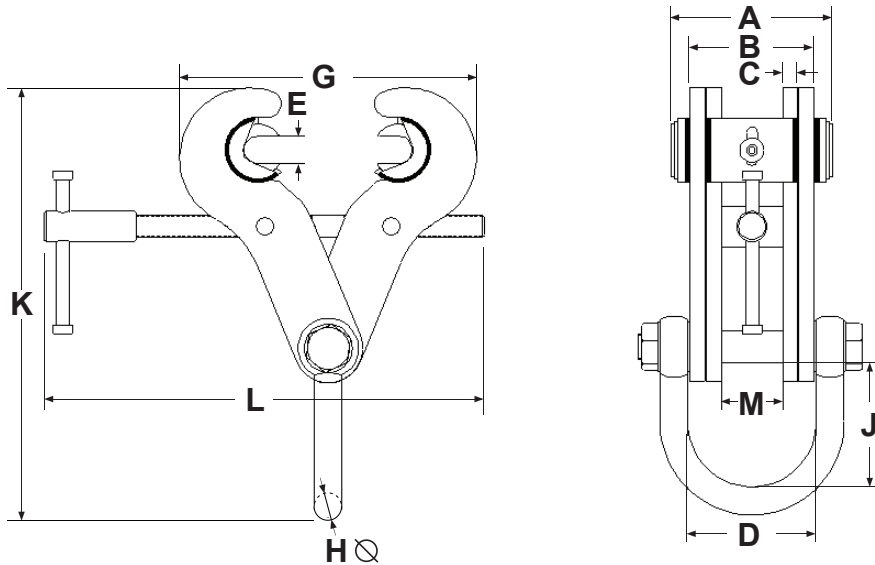


Universal Lifting Beam Clamp—Swivel Jaw



MODEL NUMBERS		<i>ULBC300S</i>	<i>ULBC500S</i>	<i>ULBC1000S</i>
CAPACITY (POUNDS)		6,600	11,000	22,000
TEST LOAD (POUNDS)		9,900	16,500	33,000
FLANGE WIDTH RANGE (INCHES)		3.5 - 12.0	3.5 - 12.0	3.5 - 12.0
NET WEIGHT (POUNDS)		22.0	34.1	48.4
DIMENSIONS (INCHES)	A	5.7	5.7	5.7
	B	4.0	4.6	4.5
	C	0.3	0.6	0.8
	D	4.2	4.8	4.7
	E	1.0	1.0	1.0
	G (MAX.)	16.5	16.5	16.8
	H	0.8	1.0	1.3
	J	3.9	4.5	4.2
	K (MIN.)	12.7	13.6	14.0
	L	16.1	16.1	16.1
M	2.6	2.3	1.1	